

HSLY

Check valve type S

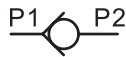
海士乐

Sizes 6 to 40

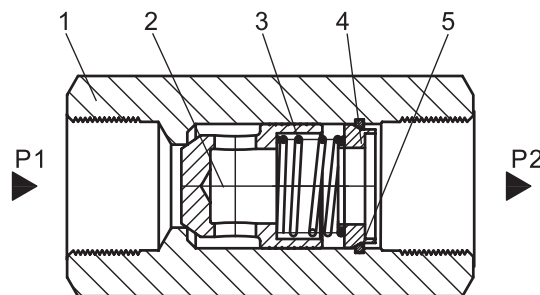
up to 31.5 MPa

up to 600 L/min

- Poppet valve seat
- Threaded connection and sub-plate mounting
- Various cracking pressures, optional



Function and configuration



1 Housing 2 Poppet spool

Spring seat 5 Steel wire retaining ring

Check valve type S is used to allow fluid flowing in one direction and leakage-free closure in opposite direction. When fluid flow via port P1, fluid push poppet (2) to move right way overcoming the spring(3), then connects the chamber P1 and P2. When fluid flows P2 to P1, poppet (2) moves left way and then the check valve closes. As for the check valve without spring, the fixing position should ensure that the poppet can locate itself closed under its deadweight.

Specification

Nominal sizes	Threaded connection	Sub-plate mounting
6	=6	
8	=8	
10	=10	=10
15	=15	
20	=20	=20
25	=25	
30	=30	=30
40	=40	

For threaded connection = A
For sub-plate mounting = P

S

0 /

Only for sub-plate mounting
No code = NBR seals
V = FPM seals

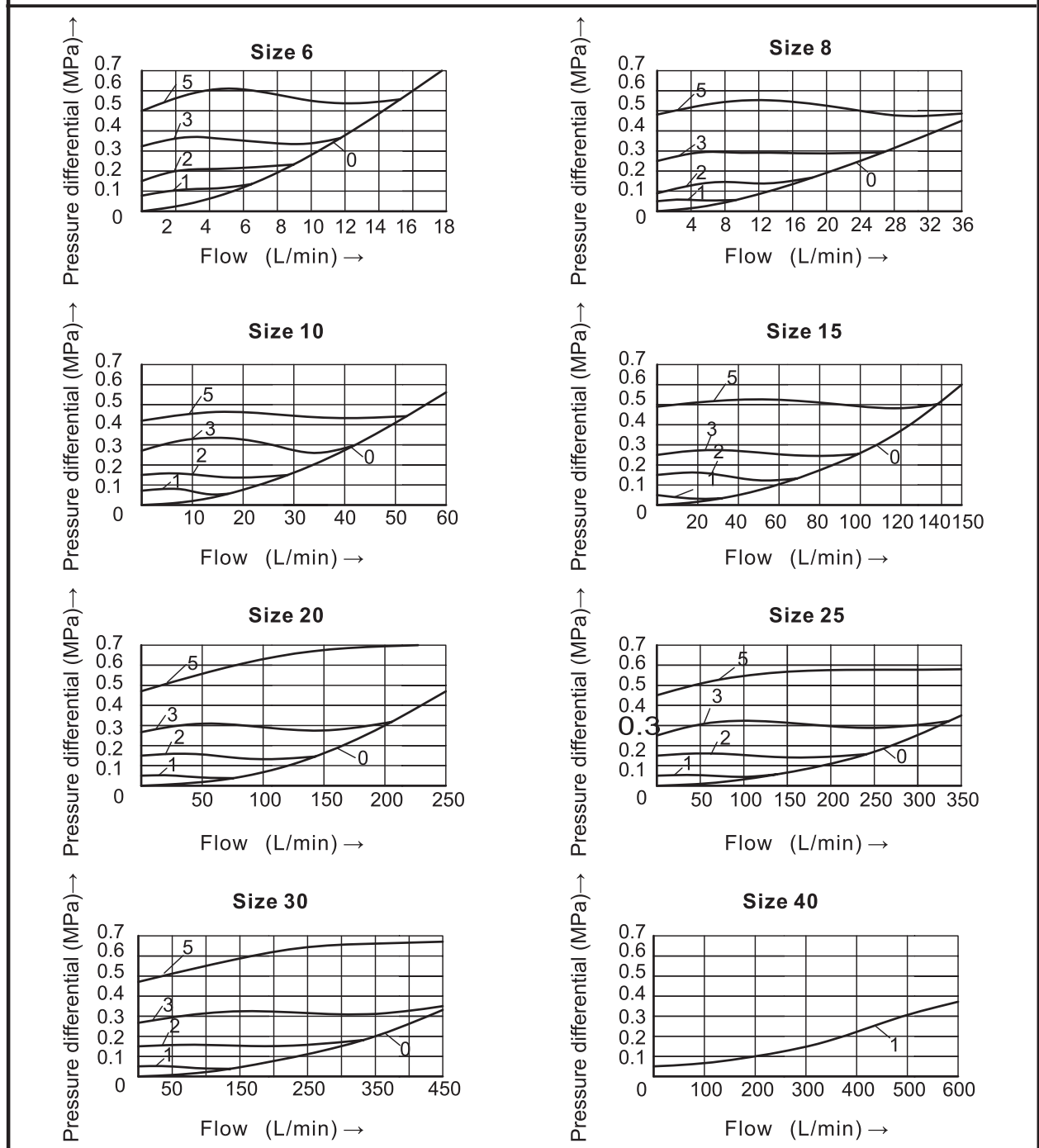
Only for threaded connection
No code = Inch
2 = Metric

0 = Revision index

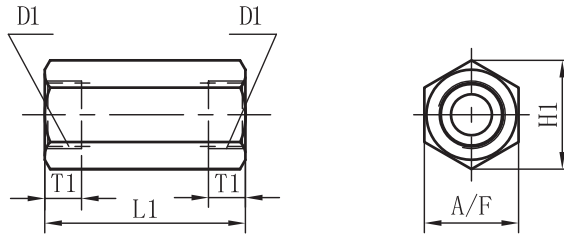
0 = Without spring (Not for size 40)
1 = Crack pressure 0.05MPa
2 = Crack pressure 0.15MPa
20 = Crack pressure 0.2MPa
3 = Crack pressure 0.3MPa
40 = Crack pressure 0.4MPa
5 = Crack pressure 0.5MPa

Technical data									
Size		6	8	10	15	20	25	30	40
Max. flow-rate	L/min	15	30	40	120	200	300	400	600
Max. operating pressure	MPa	Up to 31.5							
Crake pressure	MPa	0.05; 0.15; 0.2; 0.3; 0.4; 0.5							
Fluid		Mineral oil ; Phosphate ester							
Degree of contamination	°C	-30 to +80							
Viscosity range	mm ² /s	2.8 to 500							
Degree of contamination		Maximum permissible degree of fluid contamination: Class 9. NAS 1638 or 20/18/15, ISO4406							

Characteristic curves (Measured at t=40°C±5°C, using HLP46)

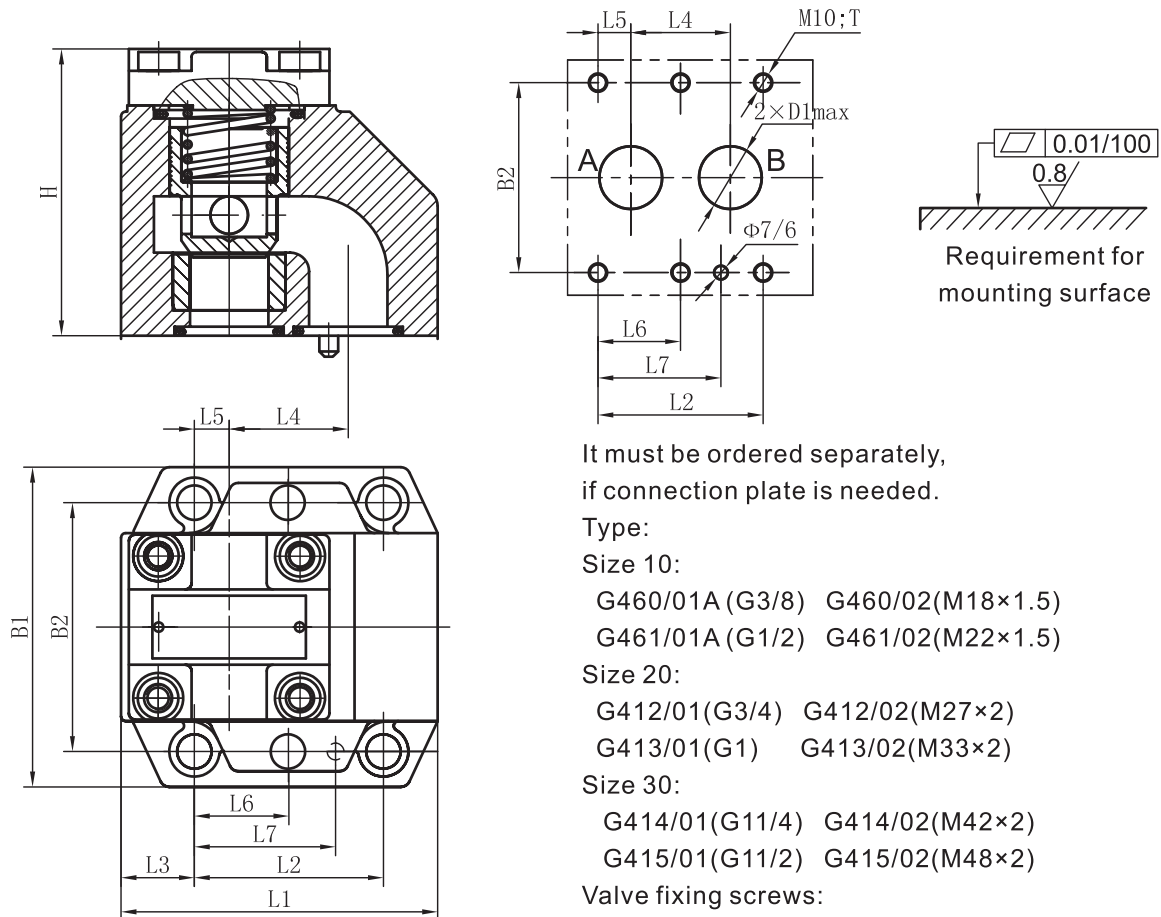


Out-line and connection dimensions of threaded connection



Size	6	8	10	15	20	25	30	40	
D1	Inch	G1/4	G3/8	G1/2	G3/4	G1	G11/4	G11/2	G2
	Metric	M14×1.5	M18×1.5	M22×1.5	M27×2	M33×2	M42×2	M48×2	M60×2
H1	22	28	34.5	41.5	53	69	75	92	
L1	58	58	72	85	98	120	132	165	
T1	12	12	14	16	18	20	22	28	
A/F	19	24	30	36	46	60	65	80	
Weight(kg)	0.1	0.2	0.3	0.5	1	2	2.5	4.4	

Out-line and connection dimensions of sub-plate mounting



It must be ordered separately, if connection plate is needed.

Type:

Size 10:

G460/01A (G3/8) G460/02 (M18×1.5)
G461/01A (G1/2) G461/02 (M22×1.5)

Size 20:

G412/01 (G3/4) G412/02 (M27×2)
G413/01 (G1) G413/02 (M33×2)

Size 30:

G414/01 (G11/4) G414/02 (M42×2)
G415/01 (G11/2) G415/02 (M48×2)

Valve fixing screws:

Size 10: 4-M10×40 GB/T 70.1-10.9
Size 20: 4-M10×50 GB/T 70.1-10.9
Size 30: 6-M10×60 GB/T 70.1-10.9

B2	L1	L2	L3	L4	L5	L6	L7	H	D1	T	O-ring	Weight
66.7	78	42.9	18	28.6	7.2	-	31.8	65	Φ13	23	17.12×2.62	2
79.4	101	60.3	23	38.1	11.1	-	44.5	93	Φ22	24	28.17×3.53	4
96.8	128	84.2	28	50.8	16.7	42.1	62.7	106	Φ30	25	34.52×3.53	7.7