

HSLH

Check valve type RVP...L2X

海士乐

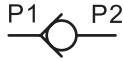
Sizes 6 to 40

up to 35 MPa

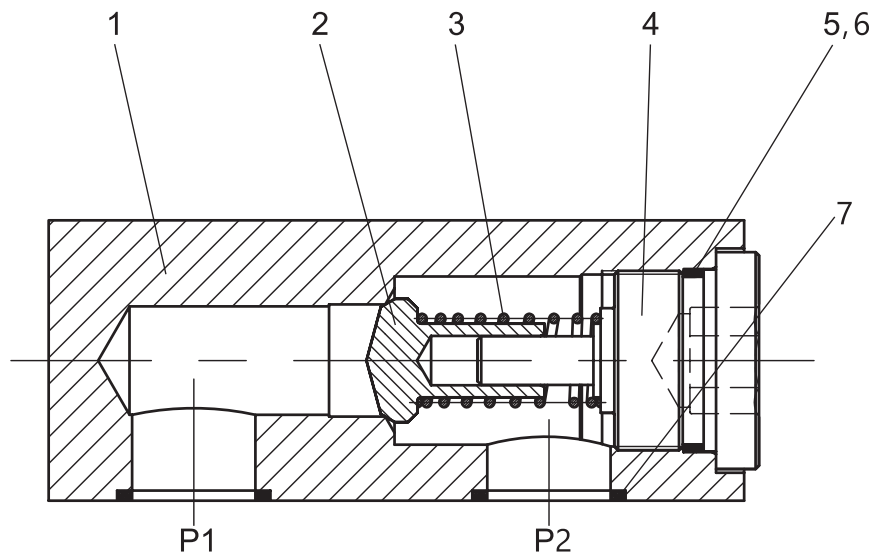
up to 600 L/min

- Taper seat
- Sub-plate mounting
- Various cracking pressures, optional (see ordering details)

Symbol:



Function and configuration



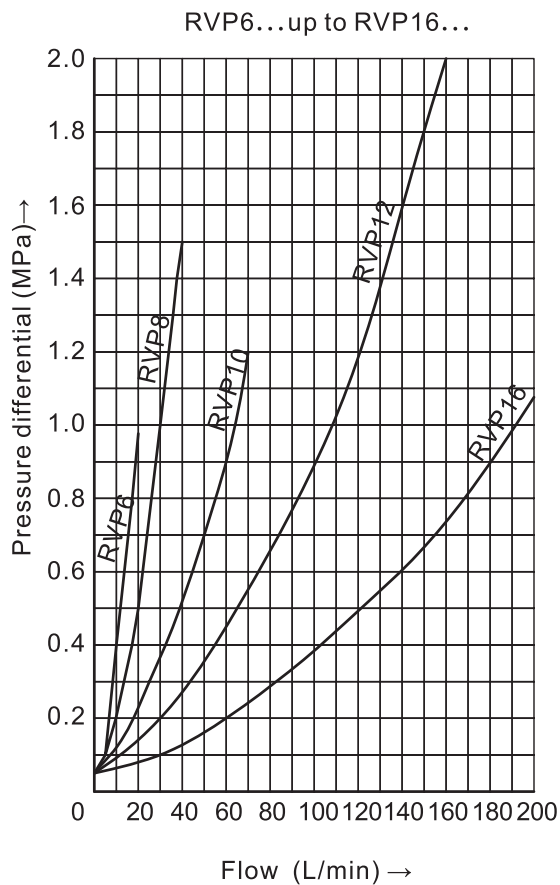
1 Housing 2 Poppet 3 Spring 4 spring seat 5 O-ring 6 Retaining ring 7 O-ring

Check valve type RVP is used to allow fluid flowing in one direction and leakage-free closure in opposite direction. When fluid flows via port P1, fluid push poppet(2) to move right way overcoming the spring(3), then connects the chamber P1 and P2. When fluid flows P2 to P1, poppet(2) moves left way and then the check valve closes.

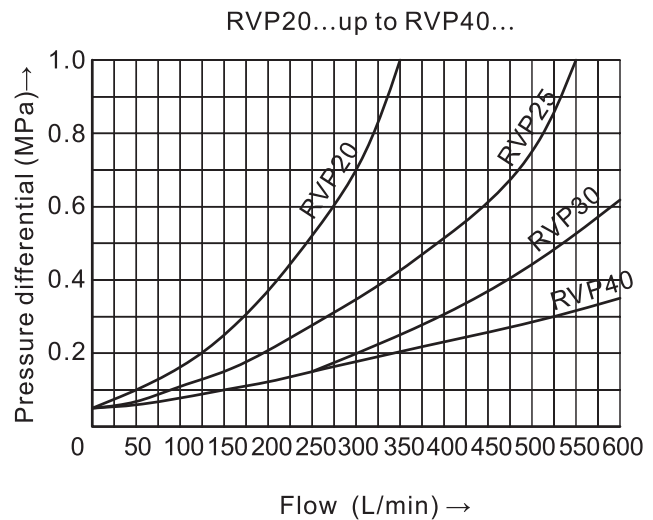
Specification

	RV	P	-	-	L2X	
Check valve						
Sup-plate mounting						
Nominal size 6	=	6				No code = NBR seals
Nominal size 8	=	8				V = FPM seals
Nominal size 10	=	10				L1X = Series L10 to L19 (L10 to L19: unchanged installation and connection dimensions)
Nominal size 12	=	12				00 = Without spring (Size 40 has no this option) (Suit for vertical, port P1 lies below)
Nominal size 16	=	16				02 = Crack pressure 0.02MPa
Nominal size 20	=	20				05 = Crack pressure 0.05MPa
Nominal size 25	=	25				15 = Crack pressure 0.15MPa
Nominal size 30	=	30				30 = Crack pressure 0.3MPa
Nominal size 40	=	40				50 = Crack pressure 0.5MPa

Characteristic curves (Measured at $t=40^{\circ}\text{C}\pm 5^{\circ}\text{C}$, using HLP46)

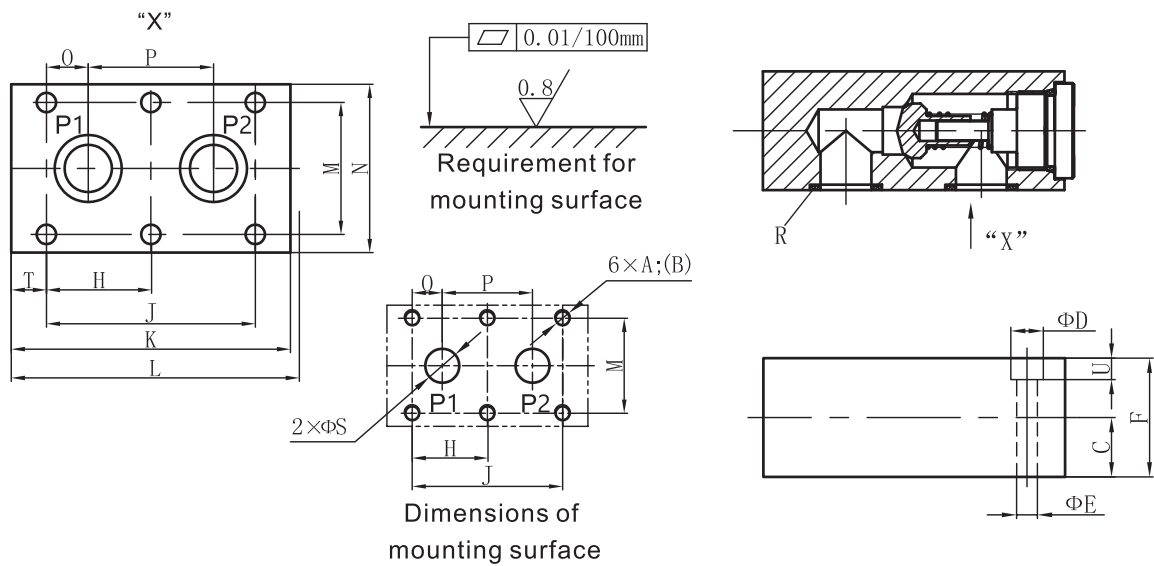


Pressure difference ΔP dependent on flow Q
 Curve (Measured at $v=38\text{mm}^2/\text{s}$ $t=43^{\circ}\text{C}$)
 (Crack pressure: 0.05MPa)



Technical data									
Nominal size	6	8	10	12	16	20	25	30	40
Max. operating pressure MPa	To 35								
Crack pressure MPa	0.02, 0.05, 0.15, 0.3, 0.5								
Viscosity range mm ² /s	2.8 to 500								
Fluid temperature range °C	-20 to +80								
Fluid	Mineral oil, Phosphat ester								
Degree of contamination	Maximum permissible degree of fluid contamination: Class 9. NAS 1638 or 20/18/15, ISO4406								

Dimensions of appearance and connection



Size	A;(B)	C	D	E	F	H	J	K	L
RVP6	M6;(12)	8	11	6.6	16	-	19	41.5	43
RVP8	M6;(12)	10	11	6.6	20	-	35	63.5	66.8
RVP10	M6;(12)	12.5	11	6.6	25	-	33.5	70	72
RVP12	M6;(12)	16	11	6.6	32	-	38	80	84
RVP16	M8;(12)	22.5	14	9	45	38	76	104	107
RVP20	M8;(16)	25	14	9	50	47.5	95	127	131
RVP25	M10;(20)	27.5	18	11	55	60	120	165	169
RVP30	M12;(24)	37.5	20	14	75	71.5	143	186	190
RVP40	M12;(24)	50	20	14	100	67	133.5	192	196
Size	M	N	O	P	S	R(O-ring)	T	U	Weight(kg)
RVP6	28.5	41.5	1.6	16	5	7×1.5	6.4	7	0.2
RVP8	33.5	46	4.5	25.5	7	12×2	14.3	7	0.4
RVP10	38	51	4	25.5	10	12×2	17	8	0.5
RVP12	44.5	57.5	4	30	12	15×2	21	7	1
RVP16	54	70	11.4	54	16	20.29×2.62	14	9	2.1
RVP20	60	76.5	19	57	20	25×3	16	10	3.3
RVP25	76	100	20.6	79.5	25	32×3	15	11	5.8
RVP30	92	115	23.8	95	30	34.52×3.53	15	13	10.3
RVP40	111	140	25.5	89	40	48×3	16	18	17.9